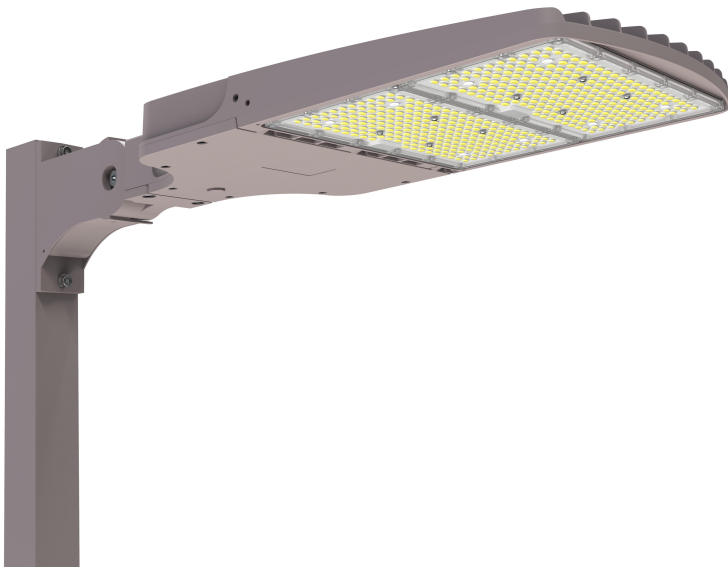


C

DESCRIPTION

Lede AL2 Shoebox style Fixture is ideal for parking lot and street lighting with high protection and low maintenance lighting solution IP66/ IK09. Available in distribution ,TYPE III, TYPE IV and TYPE V with CRI > 70. ETL/cETL listed for wet location, IP66 rated. 130 Lumens/ Watt.

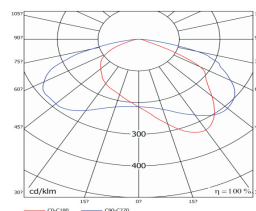


PHOTOMETRY

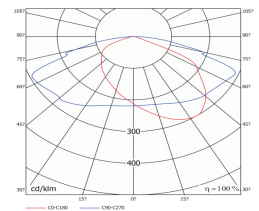
SPECIFICATION

- Die-cast aluminum housing with UV resistant Polycarbonate optical lens.
- Flexible for driver changed easily; Surge protection 6KV
- IP 66 (wet location) Rated, IK 09, 5years warranty
- Photocontrol Sensor
- Available in various sizes/wattages rages from 80W-300W
- Universal 120-277VAC (50/60 Hz) , 6kVA Surge Protector
- Available in , 3000K, 4000K, 5000K with an efficacy of upto 130 Lumens/ watt.
- Operating temperature -30° C upto 50° C.

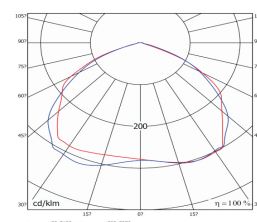
TYP III



TYP IV



TYP V



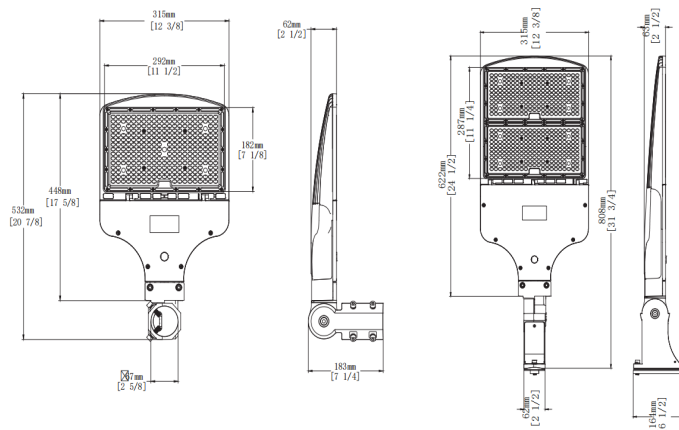
TABULATION & ORDERING NUMBER LOGIC

Model	Mounting	Watt	Lumens	Input Voltage	Lens	CCT	Finish	Accessories	C
AL2	SF - Slip Fitter	100 - 100W	140L - 14000Lm	UNV - 120V/227V	T2- Typell	30 - 3000K	BK - Black	PCT - Photocell Top	
		150 - 150W	210L - 21000Lm		T3 - TypeIII	40 - 4000K			
	UB - U Bracket	200 - 200W	280L - 28000Lm		T4 -Type IV	50 - 5000K			
	EA - Extruded Arm	300 - 300W	420L - 42000Lm		T5 - Type V				
ORDERING EXAMPLE: AL2-SF-100-140L-UNV-T3-50-BK-MS-PCT									

100-150 W Type SF Bracket



200-300 W Type EA Bracket



Power	L	W	H
100W-150W	20.94"	12.4"	7.2"
200W-300W	32.28"	12.4"	6.45"